

37255-MI

Light Sensitive Relay Control Module

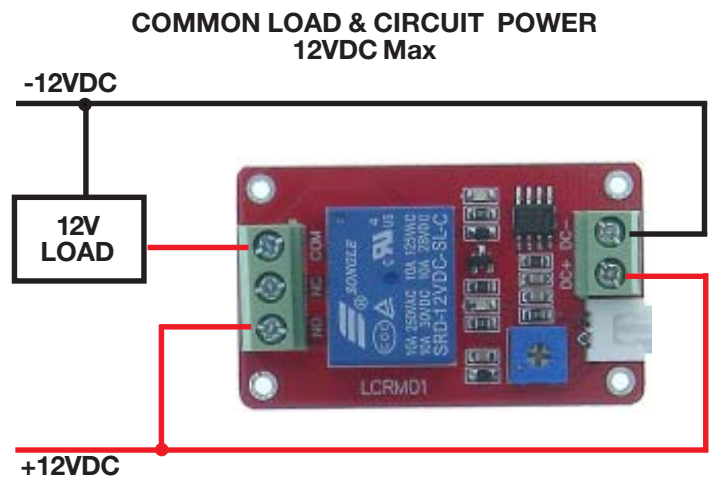
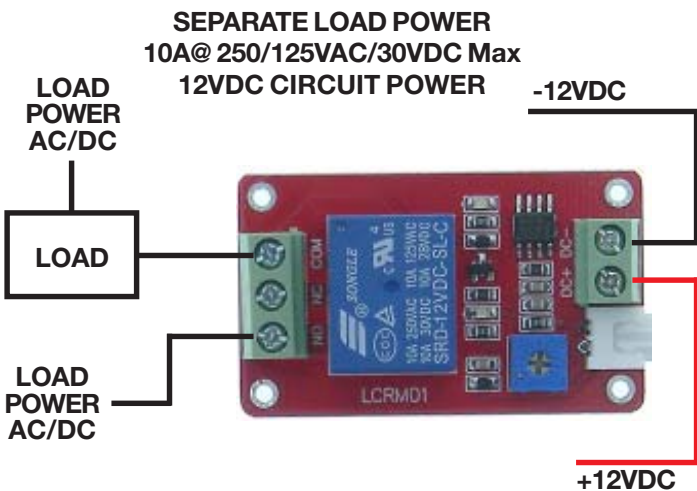
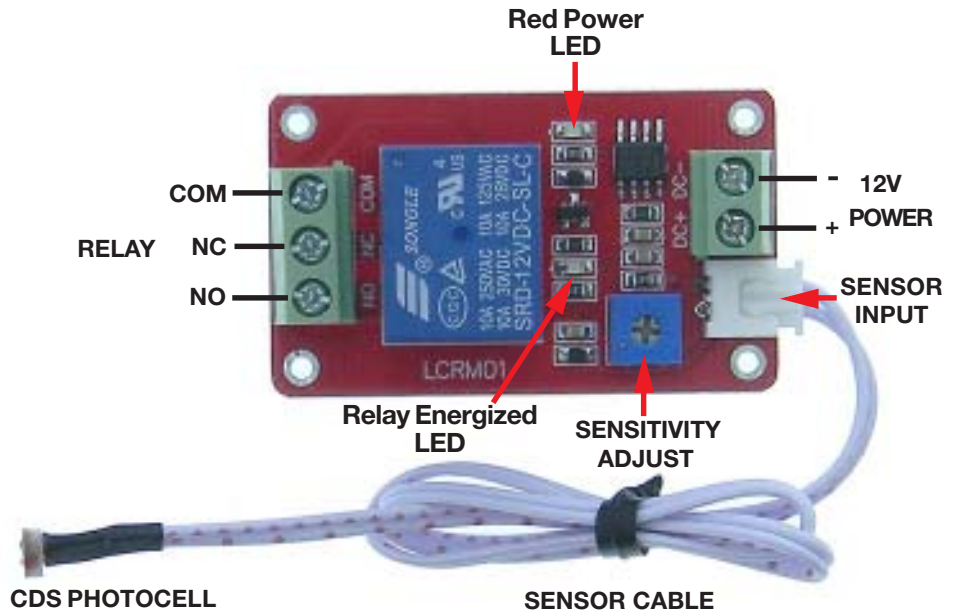
The module can be used as light detector
Adjustable sensitivity.

Dark: Relay ON COM connected to NO
Light: Relay OFF COM connected to NC
SPDT Isolated contacts.

Power: 12VDC @ ~40mA energized
Relay: SPDT

Contacts: 10A@ 250/125VAC/30VDC
Red LED Power Indicator
Blue LED Relay active indicator
Detector: CdS Photoresistor with 11in lead
L: 2" W: 1-3/16" H: 3/4" WT: .0

**NOTE: Missing or Open Sensor
Relay will Be Energized**



Information including Drawings, Schematics, Links and Code (Software) Supplied or Referenced in this Document is supplied by MPJA inc. as a service to our customers and accuracy or usefulness is not guaranteed nor is it an Endorsement of any particular part, supplier or manufacturer. Use of information and suitability for any application is at users own discretion and user assumes all risk.

Information Subject to Change Without Notice
All rights are retained by the respective Owners/Author(s)



MARLIN P. JONES & ASSOC., INC.

P.O. Box 530400 Lake Park, FL 33403
800-652-6733 FAX 561-844-8764
WWW.MPJA.COM